

Specifications :

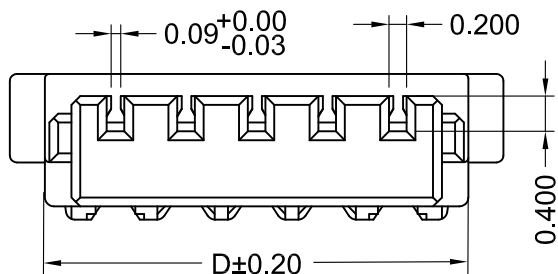
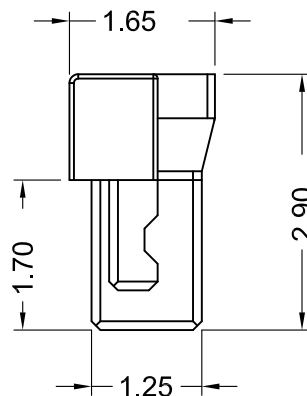
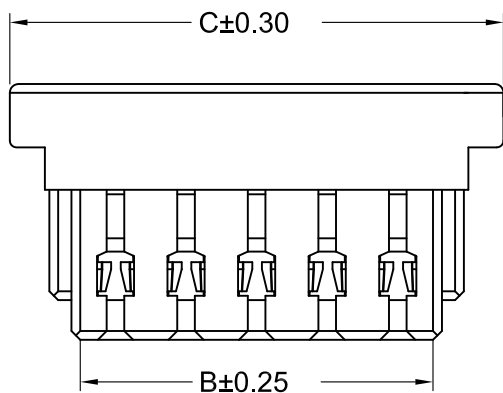
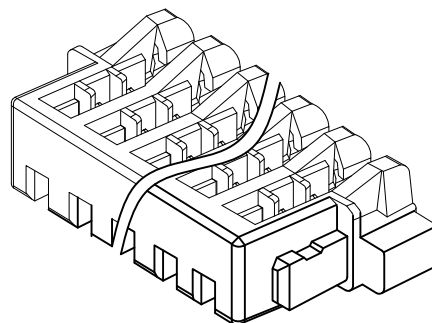
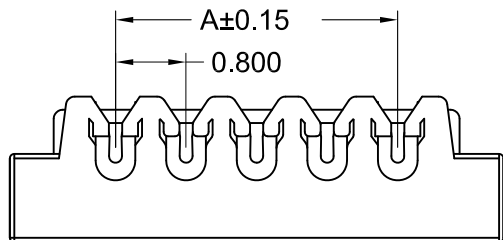
- Voltage rating: 30V AC / DC
- Current rating: 0.5A AC / DC
- Withstanding voltage: 200V AC/minute
- Temperature range: -25°C~+85°C
- Insulation resistance: ≥100MΩ
- Contact resistance: ≤20mΩ
- After environmental testing: ≤30mΩ

Ordering code:

E0801H00-NP X - T 5A - XX - XX - NK

① ② ③ ④ ⑤ ⑥ ⑦

- ① No. of Circuits
- ② X : Product color(A--Y)
A : Black type None : White
- ③ T : HSG with Ear None : None
- ④ 5A-Gold Plating None : None
- ⑤ HF : Halogen Free None : ROHS
- ⑥ Material: 6T-PA6T ; None-PA66 94V-0; 46-PA46
- ⑦ NK : No Mark None : Mark



Poles	Dimensions(mm)				Poles	Dimensions(mm)			
	A	B	C	D		A	B	C	D
02	0.80	1.78	3.20	2.40	12	8.80	9.78	11.20	10.40
03	1.60	2.58	4.00	3.20	13	9.60	10.58	12.00	11.20
04	2.40	3.38	4.80	4.00	14	10.40	11.38	12.80	12.00
05	3.20	4.18	5.60	4.80	15	11.20	12.18	13.60	12.80
06	4.00	4.98	6.40	5.60	16	12.00	12.98	14.40	13.60
07	4.80	5.78	7.20	6.40	17	12.80	13.78	15.20	14.40
08	5.60	6.58	8.00	7.20	18	13.60	14.58	16.00	15.20
09	6.40	7.38	8.80	8.00	19	14.40	15.38	16.80	16.00
10	7.20	8.18	9.60	8.80	20	15.20	16.18	17.60	16.80
11	8.00	8.98	10.40	9.60	22	16.80	17.78	19.20	18.40

E0801H00-NPX-X-HF-XX	PA66 UL 94V-0 Halogen Free	AWG#32-34	0.38mm(Max)	Phosphor Bronze	Gold-Flash	E0801W
E0801H00-NPX-X-46-XX	PA46 UL 94V-0					
E0801H00-NPX-X-XX	PA66 UL 94V-0				Tin-Plated	
E0801H00-NPX-X5A-6T-XX	PA6T UL 94V-0					
E0801H00-NPX-X-6T-XX	PA6T UL 94V-0					
PART NO	Material	Wire Range	Insulation O.D.	Material(Terminal)	Finish(Terminal)	Mates With HLTC Wafer

GENERAL TOLERANCE		UNIT: mm		DATE	
.X ± 0.30	X° ± 1°	DRAWN:	张自豪	2017.09.28	
.XX ± 0.20	.X° ±	CHECKED:			
.XXX ± 0.10	.XX° ±	APPROVED:			
LTR	NAME	DATE	VERISION RECORD		

TITLE:			东莞市宏欣蓝电子有限公司		
Pitch0.8mm 刺破式 Housing					
VER.	SCALE:	N/A	PROJECT	PART NO.	E0801H00-NPX-XXX-XX-XX-NK
A1	SHEET:	1/1	DRAWING NO.		E0801H

由 Autodesk 教育版产品制作

由 Autodesk 教育版产品制作

1 2 3 4 5 6 7 8 9

A
B
C
D
E
F

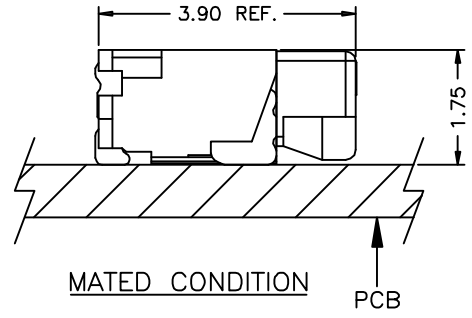
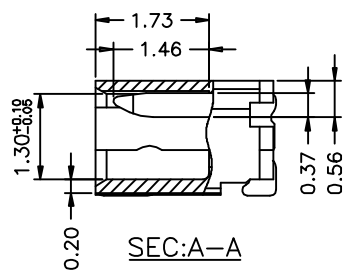
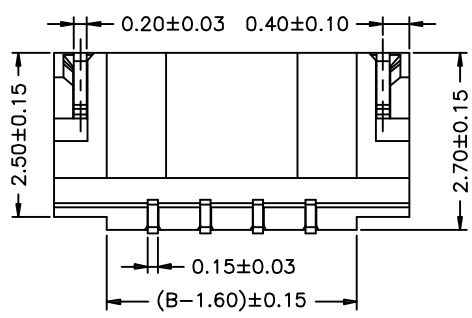
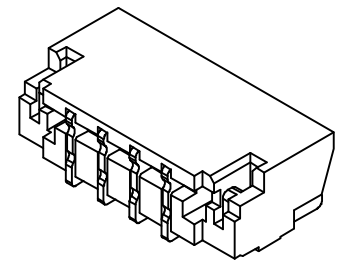
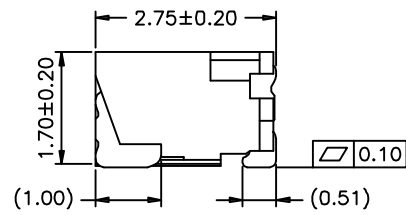
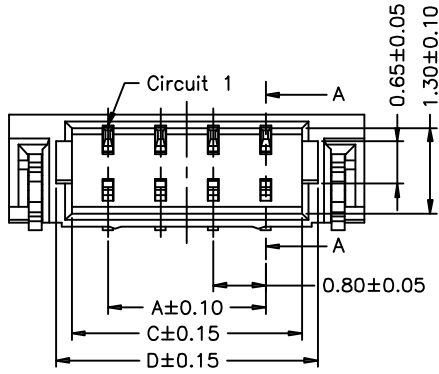
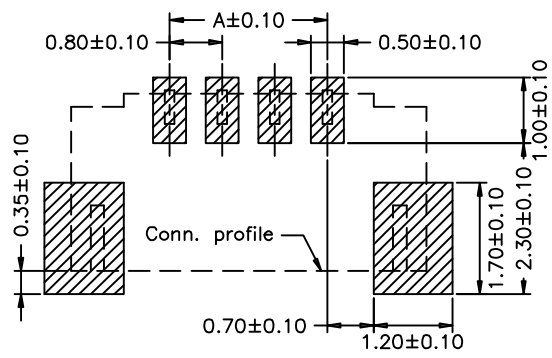
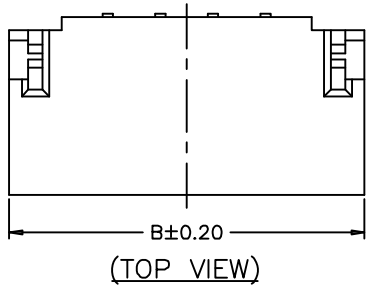
A
B
C
D
E
F

Specifications :

Voltage rating: 30V AC / DC
 Current rating: 0.5A AC / DC
 Withstanding voltage: 200V AC/minute
 Temperature range: -25°C~+85°C
 Insulation resistance:100MΩ Min
 Contact resistance: 20mΩ Max

Material :

Insulator: LCP UL 94V-0
 Contact: Phosphor bronze
 Fitting Nail: Phosphor bronze
 Plating: Gold flash or Matte Tin plated over 50u" Nickel
 Color: Natural(Beige)
 Suitable: E0801 Series Single Row Housing
 or E0802 Series Crimp Housing



Circuit No.	Dimensions			
	A	B	C	D
02P	0.80	3.80	1.90	2.38
03P	1.60	4.60	2.70	3.18
04P	2.40	5.40	3.50	3.98
05P	3.20	6.20	4.30	4.78
06P	4.00	7.00	5.10	5.58
07P	4.80	7.80	5.90	6.38
08P	5.60	8.60	6.70	7.18
10P	7.20	10.20	8.30	8.78
12P	8.80	11.80	9.90	10.38
14P	10.40	13.40	11.50	11.98
15P	11.20	14.20	12.30	12.78
16P	12.00	15.00	13.10	13.58
17P	12.80	15.80	13.90	14.38
20P	15.20	18.20	16.30	16.78

④			
③			
②			
①			
LTR	NAME	DATE	VERISION RECORD
1			
2			
3			

GENERAL TOLERANCE		UNIT: mm		DATE	
.X±0.30	X°±1°	DRAWN:	张自豪	2017.09.21	
.XX±0.20	.X°±	CHECKED:			
.XXX±0.10	.XX°±	APPROVED:			

TITLE:		
JST SUR 0.8 SMT		
90° Wafer		
VER.	SCALE:	N/A
A1	SHEET:	1/1

东莞市宏欣蓝电子有限公司

PROJECT	PART NO.	E0801W90-NP-S	
DRAWING NO.		E0801W90	

1 2 3 4 5 6 7 8 9