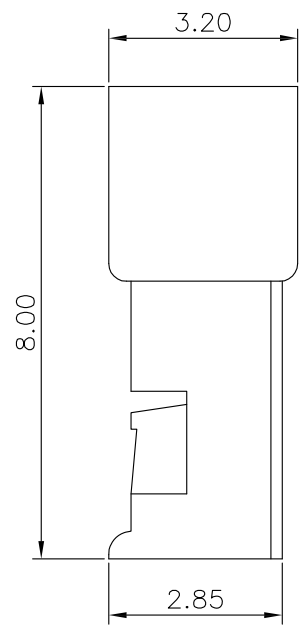
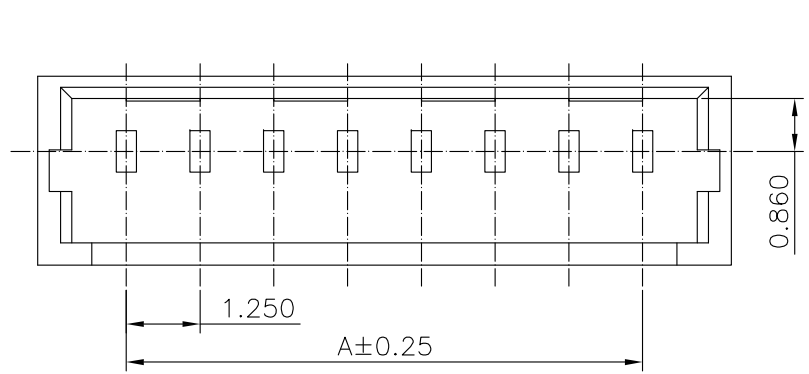
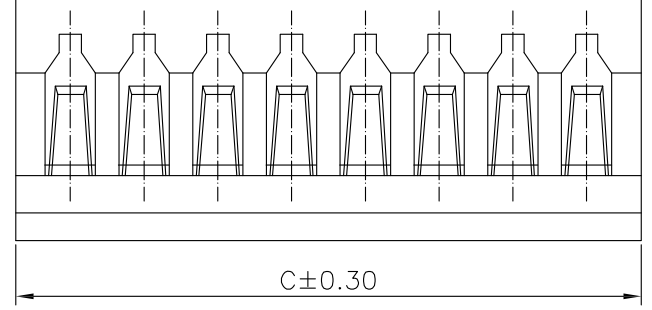
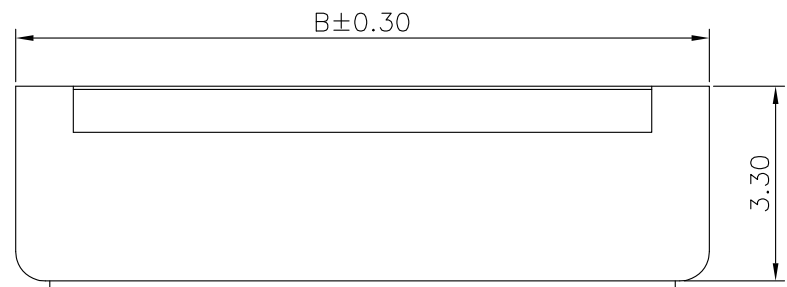


RoHS
COMPLIANT



- ◆SPECIFICATIONS
- Current rating: 1A AC, DC
 - Voltage rating: 125V AC,DC
 - Temperature range: -40°C ~ +105°C
 - Insulation resistance: 100M Ω Min.
 - Withstanding voltage: 250V AC/ minute.
 - Contact resistance: 20m Ω Max.

Material:
Insulator: Nylon 66 UL 94V-0
Circuits: 2~16
Suitable: E1251 series Terminal
Mates With E1251 series Housing
Q'ty: 1,000PCS

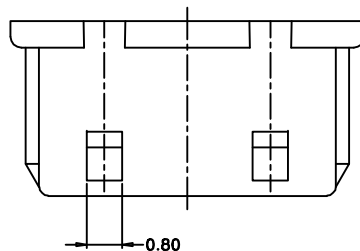
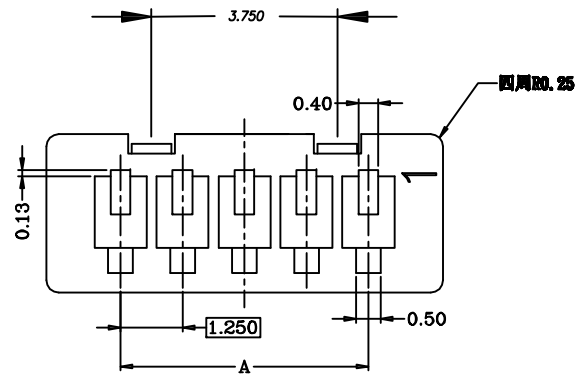


E1251H00-NP X- E -HF-NK
① ② ③ ④ ⑤

- ① No. of Circuits
- ② X : Product color(A--Y)
A : Black type
None : White
- ③ E : E Type
- ④ HF : Halogen Free
- ⑤ NK : No Mark

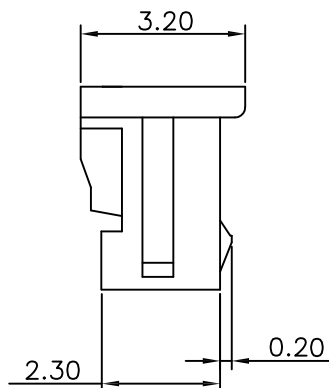
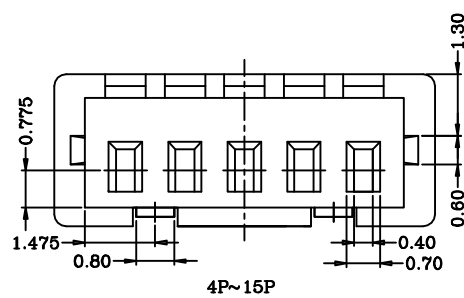
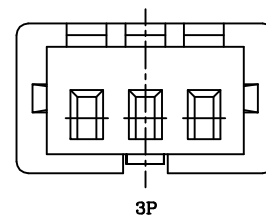
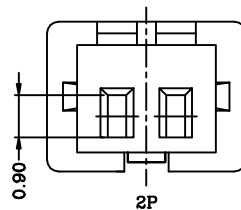
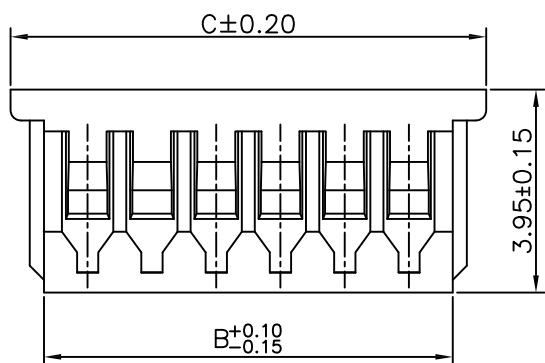
Circuits	A	B	C
2	1.25	4.40	3.10
3	2.50	5.65	4.35
4	3.75	6.90	5.60
5	5.00	8.15	6.85
6	6.25	9.60	8.10
7	7.50	10.65	9.35
8	8.75	11.90	10.60
9	10.00	13.15	11.85
10	11.25	14.40	13.10
11	12.50	15.65	14.35
12	13.75	16.90	15.60
13	15.00	18.15	16.85
14	16.25	19.40	18.10
15	17.50	20.65	19.35
16	18.75	21.90	20.60

F	④				GENERAL TOLERANCE		UNIT: mm		DATE		TITLE: Molex1.25mm 空接Housing			HLTC 东莞市宏欣蓝电子有限公司 Dongguan Hongxinlan Electronics Co.,Ltd.		
	③				.X ± 0.30	X° ± 1°	DRAWN:	朱佑武	2014.05.16							
	②				.XX ± 0.20	.X° ±	CHECKED:	张自豪	2014.05.16	VER.		SCALE:	N/A	PROJECT	PART NO.	E1251H00-NPX-E-HF-NK
	①				.XXX ± 0.10	.XX° ±	APPROVED:	张自豪	2014.05.16	A0	SHEET:	1/1	 DRAWING NO.	E1251H-E		
	LTR	NAME	DATE	VERISION RECORD												
	1	2	3	4	5	6	7	8	9							



■ Specifications :

- Voltage rating: 125V AC / DC
- Current rating: 1A AC / DC
- Withstanding voltage: 250V AC/minute
- Temperature range: -25°C~+85°C
- Insulation resistance: ≥100MΩ
- Contact resistance: ≤20mΩ
- After environmental testing: ≤40mΩ

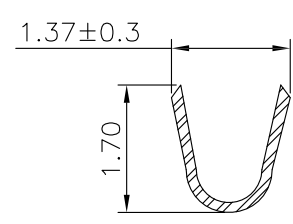
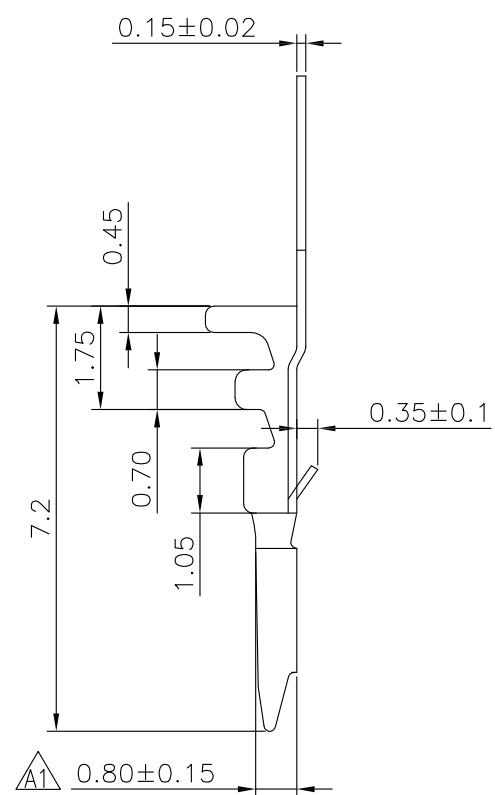
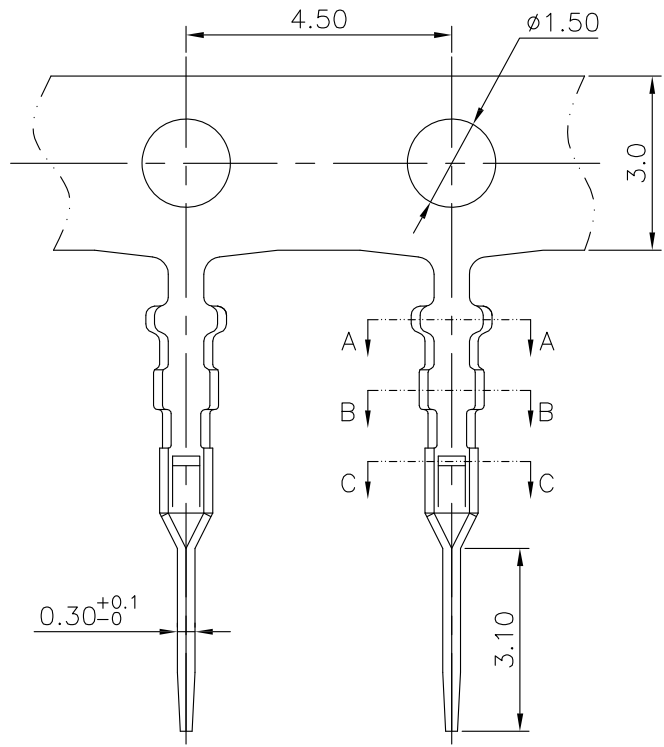


E1251H00-NP X- XX -XX
 ① ② ③ ④

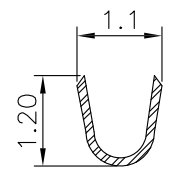
- ① No. of Circuits
- ② X : Product color(A--Y)
A : Black type
Blank : White
- ③ HF : Halogen Free
Blank : RoHS
- ④ NK : No Mark
Blank : Mark

Dimensional Ordering Information:			
Part No	Dimensions		
	A	B	C
2P		3.00	4.25
3P	2.50	4.25	5.50
4P	3.75	5.50	6.75
5P	5.00	6.75	8.00
6P	6.25	8.00	9.25
7P	7.50	9.25	10.50
8P	8.75	10.50	11.75
9P	10.00	11.75	13.00
10P	11.25	13.00	14.25
11P	12.50	14.25	15.50
12P	13.75	15.50	16.75
13P	15.00	16.75	18.00
14P	16.25	18.00	19.25
15P	17.50	19.25	20.50
16P	18.75	20.50	21.75

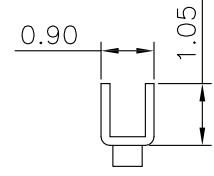
④	LTR	NAME	DATE	VERSION RECORD	GENERAL TOLERANCE		UNIT: mm	DATE	TITLE:			HLTC 东莞市宏欣蓝电子有限公司 Dongguan Hongxinlan Electronics Co.,Ltd.			
					.X ± 0.25	X° ± 1°	DRAWN: 朱佑武	2013.1.2	Molex 1.25mm Housing						
					.XX ± 0.15	.X° ±	CHECKED: 张自豪	2013.1.2	VER.	SCALE:	N/A	PROJECT	PART NO.	E1251H00-NPX-XX-XX	
					.XXX ± 0.10	.XX° ±	APPROVED: 张自豪	2013.1.2	A	SHEET:	1/1	DRAWING NO.		E1251H	
1	2	3	4	5	6	7	8	9							



SECTION A-A



SECTION B-B



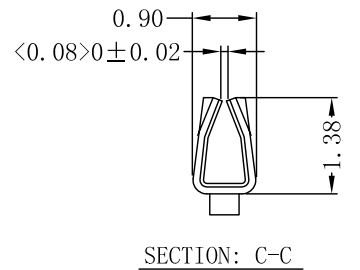
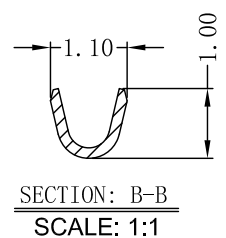
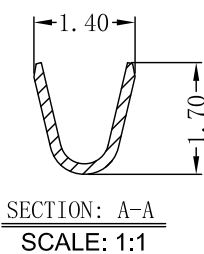
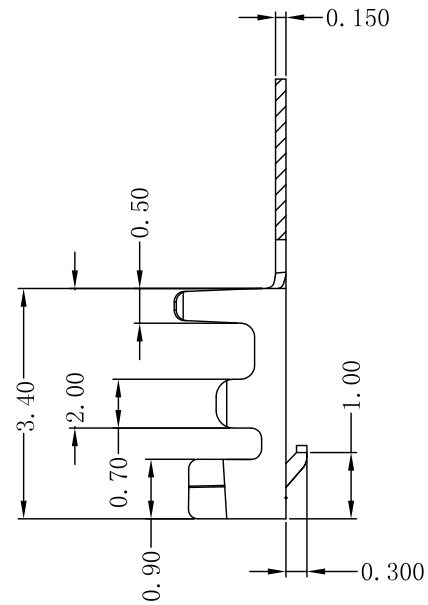
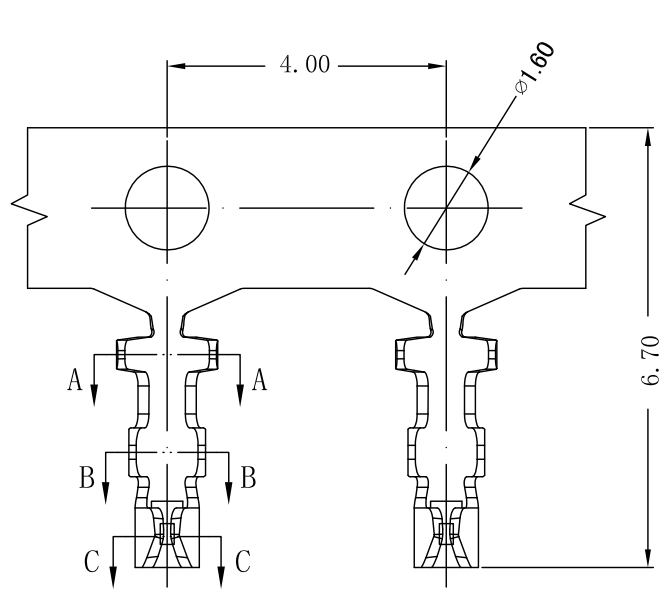
SECTION C-C

- ◆ SPECIFICATIONS
- Current rating: 1A AC, DC
 - Voltage rating: 125V AC, DC
 - Temperature range: $-40^{\circ}\text{C} \sim +105^{\circ}\text{C}$
 - Insulation resistance: $100\text{M} \Omega$ Min.
 - Withstanding voltage: 250V AC/ minute.
 - Contact resistance: $20\text{m} \Omega$ Max.

Material: Phosphor Bronze
 Plating: Tin plated over Nickel
 Applicable wire:
 AWG#28~#32
 Insulation O.D. 1.00mm Max.
 Suitable: E1251 series Housing
 Q'ty: 20,000PCS/Reel

④				GENERAL TOLERANCE	UNIT: mm	DATE	TITLE: Molex1.25mm 空接Terminal VER. SCALE: N/A AO SHEET: 1/1			
③				.X ± 0.30	X° ± 1°	DRAWN: 朱佑武				2014.05.16
②				.XX ± 0.20	.X° ±	CHECKED: 张自豪				2014.05.16
①				.XXX ± 0.10	.XX° ±	APPROVED: 张自豪				2014.05.16
LTR	NAME	DATE	VERSION RECORD							

HLTC 东莞市宏欣蓝电子有限公司 Dongguan Hongxinlan Electronics Co.,Ltd.		
PROJECT	PART NO.	E1251T0P-2E-E-NK
DRAWING NO.		E1251T-E



■ Specifications :

- Voltage rating: 125V AC / DC
- Current rating: 1A AC / DC
- Withstanding voltage: 250V AC/minute
- Temperature range: -25° C~+85° C
- Insulation resistance: $\geq 100M\Omega$
- Contact resistance: $\leq 20m\Omega$
- After environmental testing: $\leq 40m\Omega$

Note: E1251TOP-XX-NK

NK: No Mark

Finish

- 5A--Gold-flash
- 5B--2u"
- 5C--3u"
- 5D--4u"
- 5E--5u"
- 5F--10u"
- 5G--15u"
- 5H--30u"
- 5I--50u"
- 0C--半金3u"电镀前镍底:50-100u"

E1251T0P-5X-NK	Phosphor Bronze	AWG#28-32	1.00mm(Max)	Gold-plated overall	15,000 PCS
E1251T0P-2E-NK	Phosphor Bronze	AWG#28-32	1.00mm(Max)	Plating:Nickel 50u"+Tin 120u"	15,000 PCS
Part No.	Material	Wire Range	Insulation O.D.	Finish	Qty/reel

④ ③ ② ①	GENERAL TOLERANCE			UNIT: mm		DATE		TITLE: Molex 1.25mm Housing HLTC 东莞市宏欣蓝电子有限公司 Dongguan Hongxinlan Electronics Co.,Ltd.		
	.X ± 0.20	X° ± 1°	DRAWN: 朱佑武	2013.1.2						
	.XX ± 0.10	.X° ± 0.5°	CHECKED: 张自豪	2013.1.2						
	.XXX ± 0.05	.XX° ± 0.2°	APPROVED: 张自豪	2013.1.2						
LTR	NAME	DATE	VERSION RECORD		VER.	SCALE:	N/A	PROJECT	PART NO.	E1251T0P-XX-NK
1	2	3	4		A	SHEET:	1/1	DRAWING NO.	E1251T	