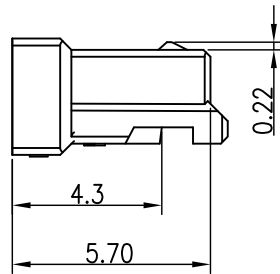
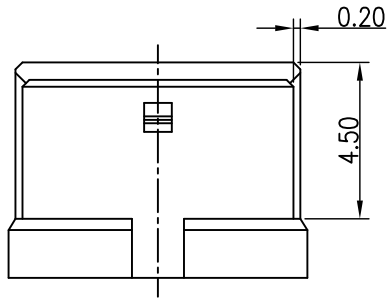


3D View



◆ SPECIFICATIONS

- Current rating: 2.5A AC, DC
- Voltage rating: 250V AC, DC
- Temperature range: -40°C ~ +105°C
- Insulation resistance: 1000MΩ Min.
- Withstanding voltage: 500V AC/ minute.
- Contact resistance: 20mΩ Max.

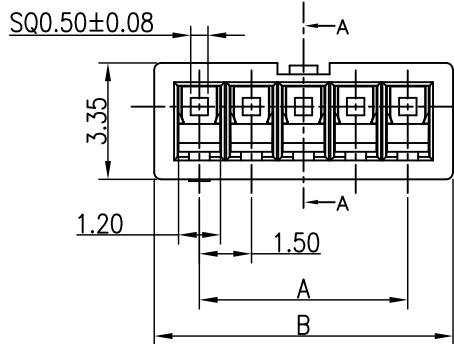
Material: Insulator: Nylon 66 UL 94V-0
Suitable E1500 Series Terminal
Mates With E1500 Series Wafer

E1500H00-NPX-HF-NK

① ② ③ ④ ⑤ ⑥

- ① Series No.
- ② H90 : Side Contact
H00 : Up Contact
- ③ No. of Circuits
- ④ X : Product color(A--Y)
Blank : Natural type
- ⑤ HF : Halogen Free
- ⑥ NK : No Mark
Blank : Mark

Dimensions				
Pin	A	B	C	D
2P	1.50	4.10	3.30	2.40
3P	3.00	5.60	4.80	2.40
4P	4.50	7.10	6.30	3.80
5P	6.00	8.60	7.80	3.80
6P	7.50	10.10	9.30	3.80
7P	9.00	11.60	10.80	3.80
8P	10.50	13.10	12.30	5.80
9P	12.00	14.60	13.80	5.80
10P	13.50	16.10	15.30	5.80
11P	15.00	17.60	16.80	5.80
12P	16.50	19.10	18.30	5.80
13P	18.00	20.60	19.80	5.80
14P	19.50	22.10	21.30	5.80
15P	21.00	23.60	22.80	5.80

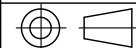


由 Autodesk 教育版产品制作

由 Autodesk 教育版产品制作

				GENERAL TOLERANCE		UNIT: mm		DATE		TITLE:		
				.X ± 0.30		Angle ± 2°		DRAWN: 张自豪 2013.06.25		MX1.50mm		
				.XX ± 0.20				CHECKED:		Housing		
				.XXX ± 0.10				APPROVED:		PROJECT PART NO. E1500H00-NPX-HF-XX		
LTR	NAME	DATE	VERSION RECORD							VER.	SCALE:	N/A
1	2	3	4	Autodesk 教育版产品制作		6		7		A1	SHEET:	1/1
										DRAWING NO. E1500H		

东莞市宏欣蓝电子有限公司



1 2 3 4 5 6 7 8 9

A

A

B

B

C

C

D

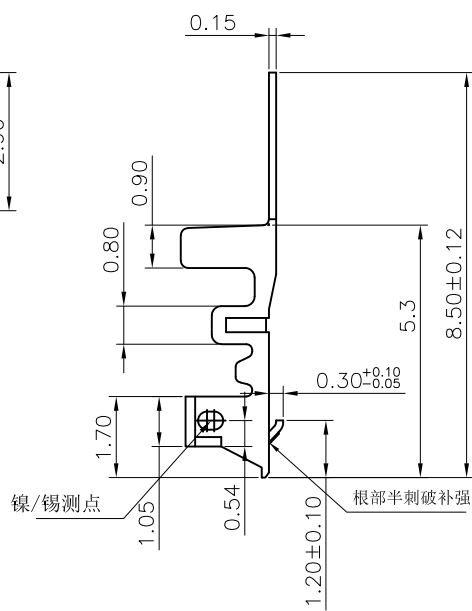
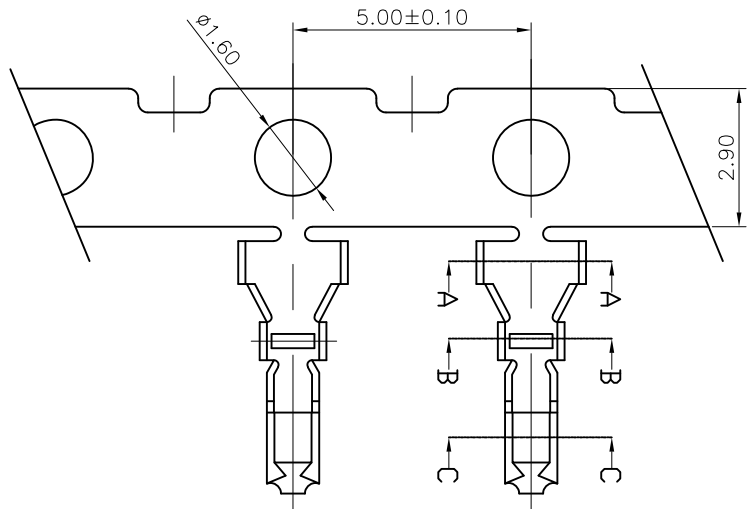
D

E

E

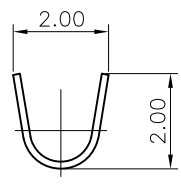
F

F

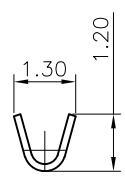


- ◆ SPECIFICATIONS
- Current rating: 2.5A AC, DC
 - Voltage rating: 250V AC, DC
 - Temperature range: -40°C ~ +105°C
 - Insulation resistance: 1000MΩ Min.
 - Withstanding voltage: 500V AC/ minute.
 - Contact resistance: 20mΩ Max.

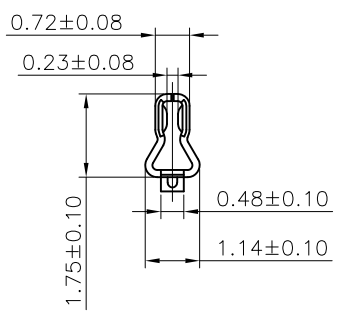
Material: Phosphor Bronze
 Finish: Spec1: Tin-plated over Nickel
 spec2: Gold-plated over Nickel
 Applicable Wires:
 AWG#24~#28
 Insulation O.D. : 0.70~1.10mm MAX
 Suitable E1500 series Housing
 Q'ty/reel: 10,000PCS



A-A SECTION



B-B SECTION



C-C SECTION

E1500 I 0 P-XX-XX
 ① ②③④⑤ ⑥

- ① Series No.
- ② T: Terminal
- ③ 9 : Side Contact
- 0 : Up Contact
- ④ P : Phosphor Bronze
- ⑤ 2E : Tin-plated
- ⑥ NK : No Mark
- Blank : Mark

				GENERAL TOLERANCE		UNIT: mm		DATE		TITLE:			东莞市宏欣蓝电子有限公司		
				.X ± 0.30 X° ± 1°		DRAWN: 张自豪		2020.05.09		MX1.5 Terminal					
				.XX ± 0.25 .X° ±		CHECKED:				VER. SCALE: N/A			PROJECT PART NO. E1500TOP-2E-XX		
				.XXX ± 0.10 .XX° ±		APPROVED: 张彬彬		2020.05.09		A0 SHEET: 1/1			DRAWING NO. E1500T		
LTR	NAME	DATE	VERSION RECORD												

1 2 3 4 5 6 7 8 9

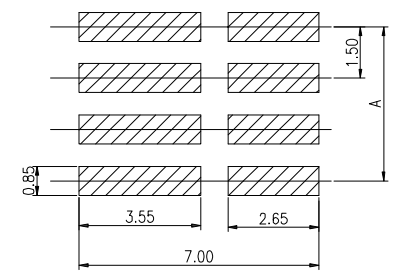
◆ SPECIFICATIONS

- Current rating: 2.5A Max. AC, DC
- Voltage rating: 250V AC,DC
- Temperature range: -25°C ~ +85°C
- Insulation resistance: 1000MΩ Min.
- Withstanding voltage: 500V AC/ minute.
- Contact resistance: 20mΩ Max.

Material:

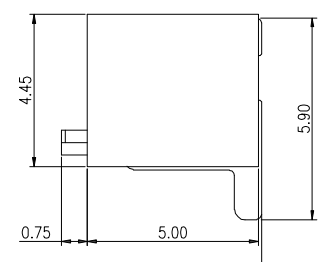
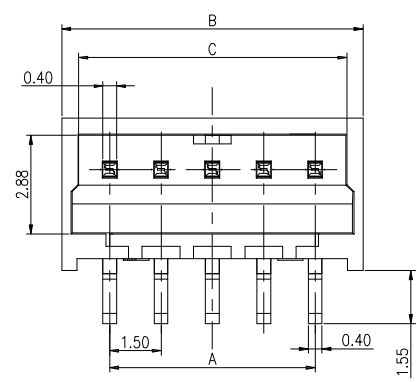
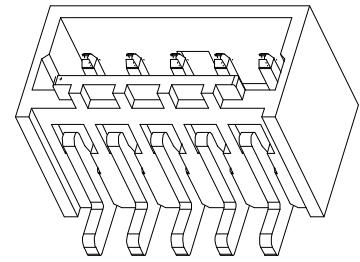
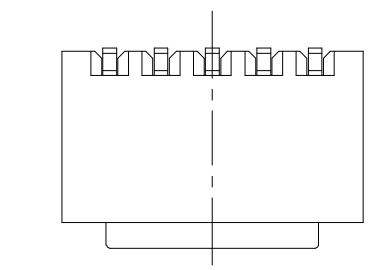
⚠ Insulator: PA6T UL 94V-0(2-10P)
LCP UL 94V-0(11-15P)

Contact: Brass
Plating: Tin plated over Nickel
Suitable: E1500 series Housing



P.C.Board Layout

3D View



0.12 Max

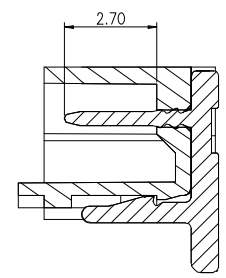
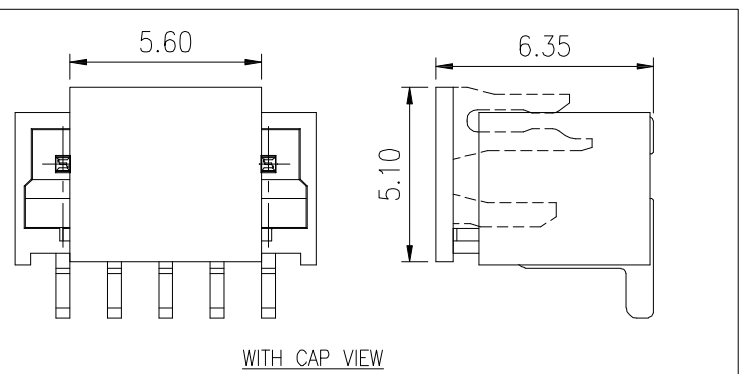
Ordering code:

E1500W00-NP-S X X X XX

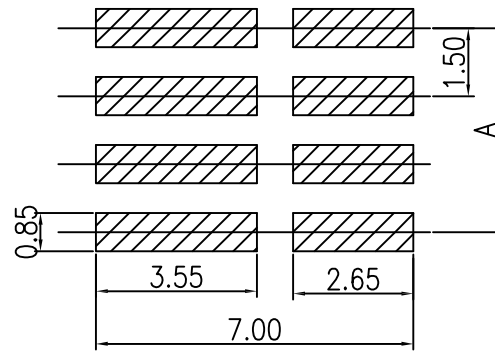
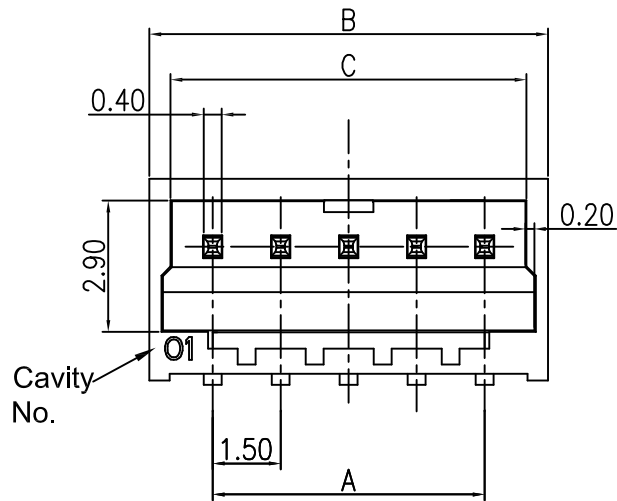
①②③④

- ① N=Halogen Free R=RoHS
- ② Material: 6=Nylon 6T L=LCP
- ③ Color: B=Black E=Beige
- ④ Plating code: T1=Tin plated
G1=Gold-flash

Dimensions			
Pin	A	B	C
2P	1.50	4.30	3.35
3P	3.00	5.80	4.85
4P	4.50	7.30	6.35
5P	6.00	8.80	7.85
6P	7.50	10.30	9.35
7P	9.00	11.80	10.85
8P	10.50	13.30	12.35
9P	12.00	14.80	13.85
10P	13.50	16.30	15.35
11P	15.00	17.80	16.85
12P	16.50	19.30	18.35
13P	18.00	20.80	19.85
14P	19.50	22.30	21.35
15P	21.00	23.80	22.85



④				GENERAL TOLERANCE	UNIT: mm	DATE	TITLE: MX1.5 SMT 180° WAFER			东莞市宏欣蓝电子有限公司			
③				.X ± 0.30	X° ± 1°	DRAWN: <i>Arvin</i>							2019.3.15
②				.XX ± 0.20	.X° ±	CHECKED:		VER.	SCALE:	N/A	PROJECTION	PART NO.	E1500W00-NP-SRXXXX
①				.XXX ± 0.10	.XX° ±	APPROVED:		A2	SHEET:	1/1		DRAWING NO.	E1500W00
LTR	NAME	DATE	VERSION RECORD										



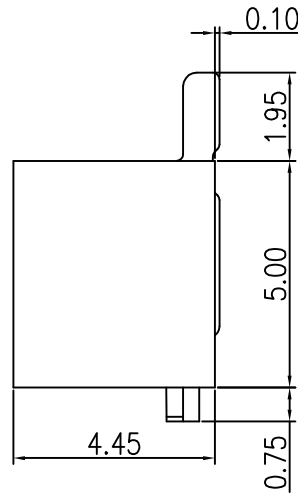
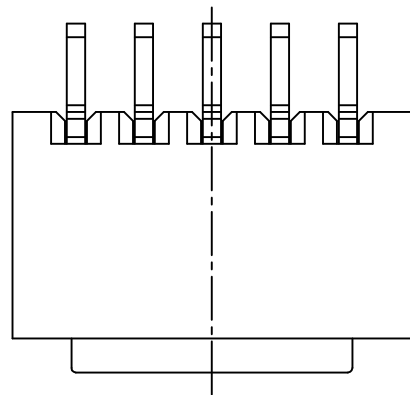
P.C.Board Layout

◆ SPECIFICATIONS

- Current rating: 2.5A Max. AC, DC
- Voltage rating: 250V AC, DC
- Temperature range: -25°C ~ +85°C
- Insulation resistance: 1000MΩ Min.
- Withstanding voltage: 500V AC/ minute.
- Contact resistance: 20mΩ Max.

Material:

Insulator: LCP UL 94V-0
 Contact: Brass
 Plating: Tin plated over Nickel
 Suitable: E1500 series Housing



Ordering code:

E1500W90-NP-S X X X XX
 ①②③④

- ① N=Halogen Free R=RoHS
- ② Material: 6=Nylon 6T L=LCP
- ③ Color: B=Black E=Beige
- ④ Plating code: T1=Tin plated
G1=Gold-flash

Dimensions			
Pin	A	B	C
2P	1.50	4.30	3.35
3P	3.00	5.80	4.85
4P	4.50	7.30	6.35
5P	6.00	8.80	7.85
6P	7.50	10.30	9.35
7P	9.00	11.80	10.85
8P	10.50	13.30	12.35
9P	12.00	14.80	13.85
10P	13.50	16.30	15.35
11P	15.00	17.80	16.85
12P	16.50	19.30	18.35
13P	18.00	20.80	19.85
14P	19.50	22.30	21.35
15P	21.00	23.80	22.85

④				GENERAL TOLERANCE	UNIT: mm	DATE	TITLE: MX1.5 SMT 90° WAFER			东莞市宏欣蓝电子有限公司			
③				.X ± 0.30	X° ± 1°	DRAWN: <i>Arwin</i>							2019.3.15
②				.XX ± 0.20	.X° ±	CHECKED:		VER.	SCALE:	N/A	PROJECTION	PART NO.	E1500W90-NP-SXXXXX
①				.XXX ± 0.10	.XX° ±	APPROVED:		A0	SHEET:	1/1	DRAWING NO.	E1500W90	
LTR	NAME	DATE	VERISION RECORD										
1	2	3	4	5	6	7	8	9					