

Specifications:

Rated Voltage : 250V AC/DC
 Rated Current : 3A AC,DC
 Withstand Voltage : 800V AC/minute
 Contact Resistance : 10mΩ(MAX.)
 Insulation Resistance : 1000MΩ(MIN.)
 Temperature Range : -25°C~+85°C

Material :

Housing : PA66 UL94V-0/Natural

Ordering Information & Dimensions

Circuit	Dimension(mm)				
	A	B	C	D	E
2*2	2.00	6.60	4.60	3.10	2.00
2*3	4.00	8.60	6.60	3.10	2.00
2*4	6.00	10.60	8.60	5.50	3.10
2*5	8.00	12.80	10.60	5.10	3.10
2*6	10.00	14.80	12.60	7.00	4.50
2*7	12.00	16.80	14.60	8.00	5.50
2*8	14.00	18.80	16.60	11.10	9.00
2*9	16.00	20.80	18.60	11.10	9.00
2*10	18.00	22.80	20.60	12.30	9.70
2*11	20.00	24.80	22.60	12.30	9.70
2*12	22.00	26.80	24.60	16.25	13.65
2*13	24.00	28.80	26.60	16.25	13.65
2*14	26.00	30.80	28.60	16.25	13.65
2*15	28.00	32.80	30.60	16.25	13.65
2*16	30.00	34.80	32.60	16.25	13.65
2*17	32.00	36.80	34.60	16.25	13.65
2*18	34.00	38.80	36.60	16.25	13.65
2*20	38.00	42.80	40.60	16.25	13.65

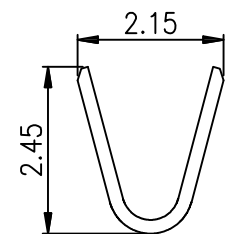
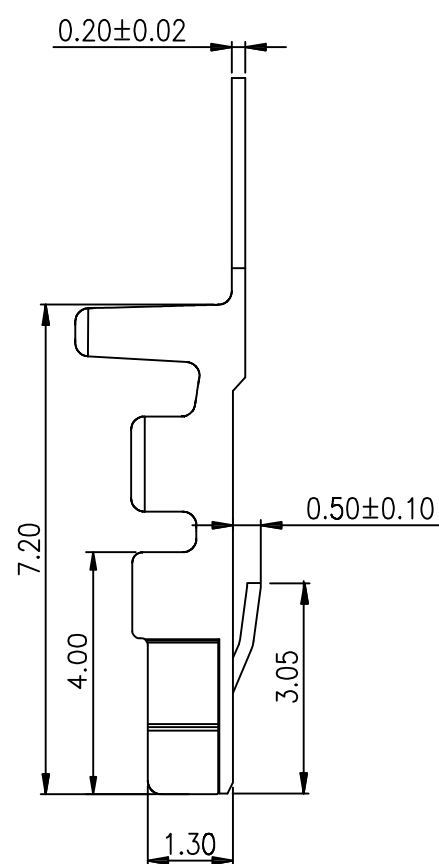
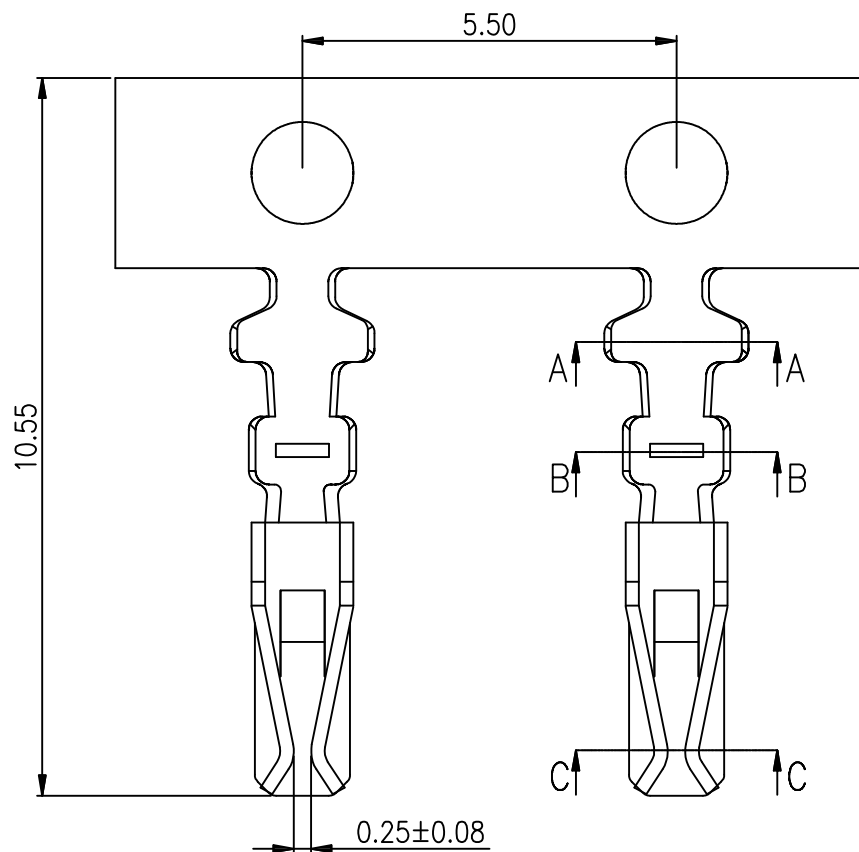
E2011H00-2xNPX-L-XX-XX

① ② ③ ④ ⑤ ⑥

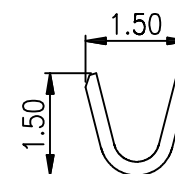
- ① Series No.
- ② H90 : Side Contact
H00 : Up Contact
- ③ No. of Circuits
- ④ X : Product color(A--Y)
A : Black type
- ⑤ L: Lock TYPE
- ⑥ HF: Halogen Free
Blank : RoHS
- ⑦ NK : No Mark
Blank : Mark

				GENERAL TOLERANCE		UNIT: mm		DATE		TITLE: 2.0mm PITCH HOUSING LOCK TYPE			东莞市宏欣蓝电子有限公司				
				.X ± 0.30	X° ± 1°	DRAWN: 张自豪		2015.11.12									
				.XX ± 0.20	.X° ±	CHECKED:				VER. A0		SCALE: 1/1		PROJECT		PART NO. E2011H00-2xNPX-L-XX-XX	
LTR NAME DATE VERISION RECORD				.XXX ± 0.10	.XX° ±	APPROVED:				DRAWING NO.		E2011H00-L					
1	2	3	4	5	6	7	8	9									

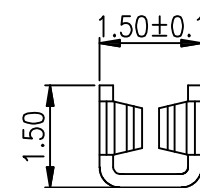
环保物料



A-A



B-B



C-C

Ordering Information & Specifications

Part No	Wire Range	Insulation O.D.	Material	Finish	Qty/reel
E2011TOP-2E-L-NK	AWG#22-28#	1.50mm(max)	Phosphor Bronze/Brass	Tin-plated	10,000pcs

LTR	NAME	DATE	VERSION RECORD	GENERAL TOLERANCE		UNIT: mm		DATE		TITLE:		
				.X ± 0.30	X° ± 1°	DRAWN:	张自豪	2015.11.12	2.0mm PITCH Terminal			
				.XX ± 0.20	.X° ±	CHECKED:			VER.	SCALE:	N/A	
				.XXX ± 0.10	.XX° ±	APPROVED:			A0	SHEET:	1/1	

东莞市宏欣蓝电子有限公司

PROJECT PART NO. E2011TOP-2E-L-NK

DRAWING NO. E2011TOP-L