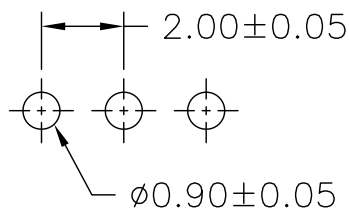
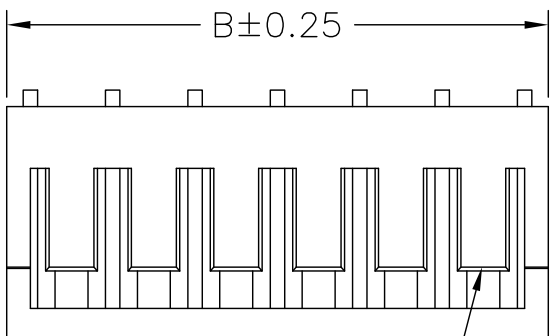
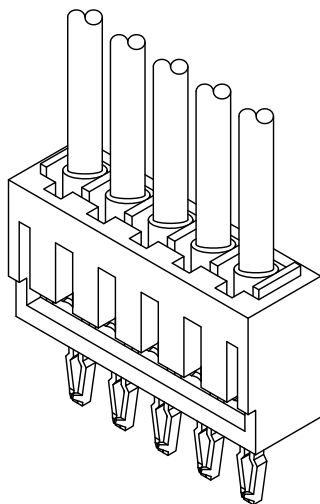
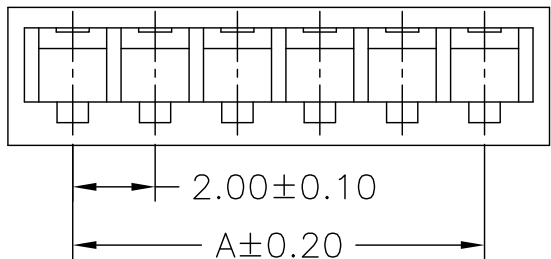


SPECIFICATIONS

Current Rating: 2A AC,DC
 Voltage Rating: 250V AC,DC
 Temperature Range: -25°C ~ +85°C
 Contact Resistance: 20mΩ Max
 Insulation Resistance: 1000MΩ Min
 Withstanding Voltage: 800V AC/minute
 Material: Nylon 66,UL94V-0
 Color: Natural(White)



Ordering Information & Dimensions

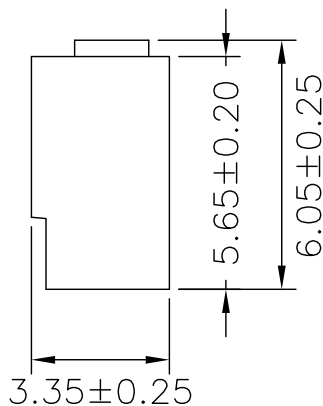
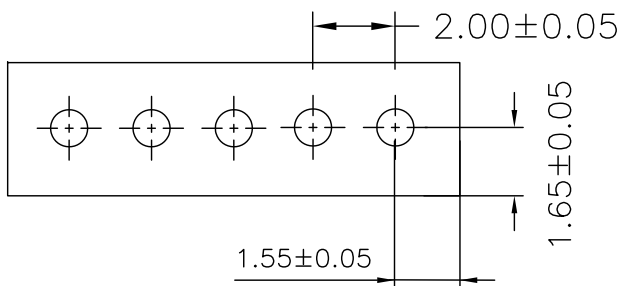
PART NO.	Dimensions	
	A	B
02P	2.00	5.15
03P	4.00	7.15
04P	6.00	9.15
05P	8.00	11.15
06P	10.00	13.15
07P	12.00	15.15
08P	14.00	17.15
09P	16.00	19.15
10P	18.00	21.15
11P	20.00	23.15
12P	22.00	25.15
13P	24.00	27.15
14P	26.00	29.15
15P	28.00	31.15
16P	30.00	33.15

P.C.B LAYOUT

B2001H00-NPX-HF-XX

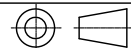
① ② ③④ ⑤ ⑥

- ① Series No.
- ② H90 : Side Contact
H00 : Up Contact
- ③ No. of Circuits
- ④ X : Product color(A--Y)
Blank : Natural type
- ⑤ HF : Halogen Free
- ⑥ NK : No Mark
Blank : Mark



1	2	3	由 Autodesk 教育版产品制作			6	7	8	9
A									A
B									B
C									C
D									D
E									E
F									F
			GENERAL TOLERANCE		UNIT: mm	DATE		TITLE:	
			.X±0.25	X°±1°	DRAWN: 张自豪	2013.03.30		Pitch2.0mm Housing 180度	
			.XX±0.15	.X°±	CHECKED:			VER. SCALE: N/A	
			.XXX±0.05	.XX°±	APPROVED:			PROJECT	PART NO. B2001H00-NPX-XX-XX
LTR	NAME	DATE	VERISION RECORD						DRAWING NO. B2001H00
1	2	3	由 Autodesk 教育版产品制作			6	7	8	9

东莞市宏欣蓝电子有限公司



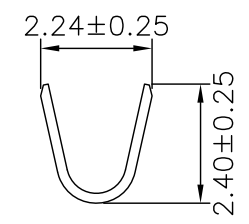
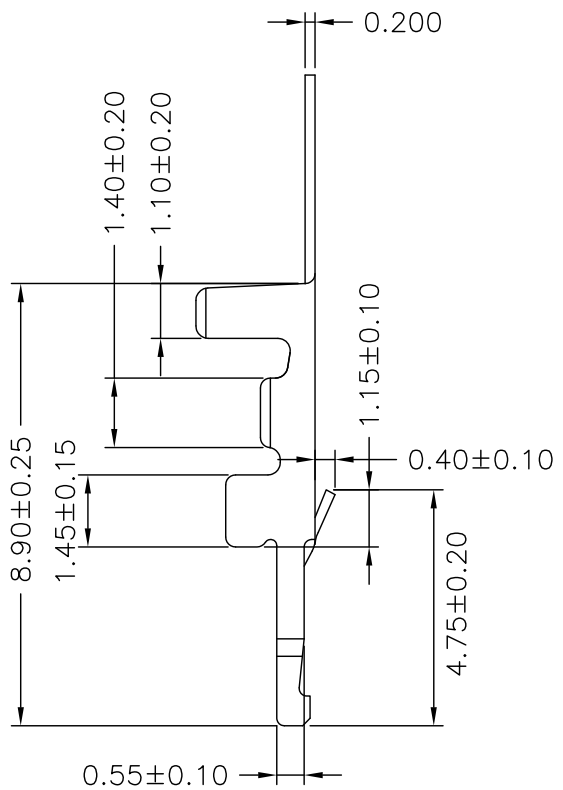
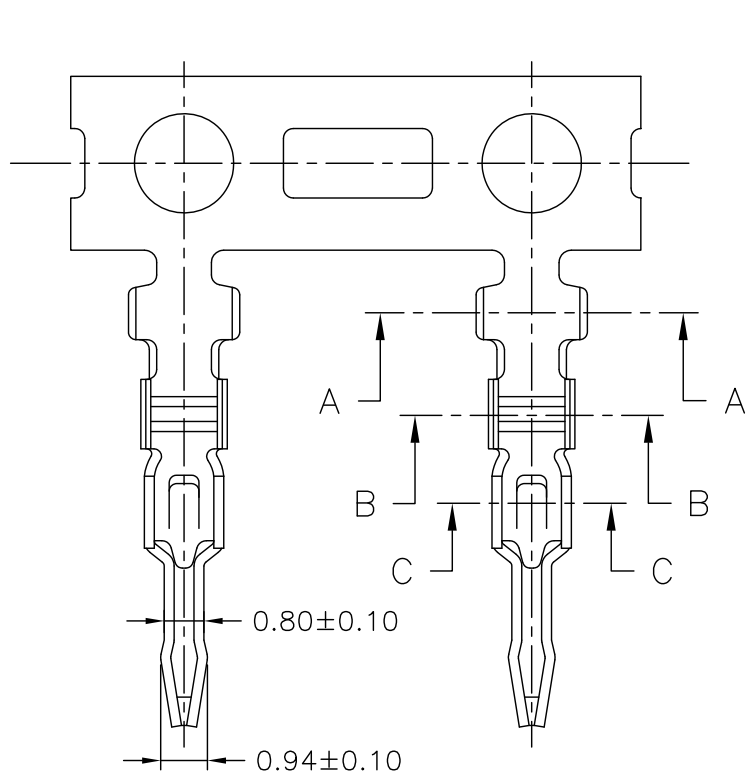
A

B

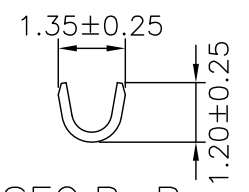
由 Autodesk 教育版产品制作

E

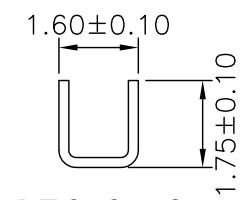
F



SEC:A-A



SEC:B-B



SEC:C-C

B2001 TOB-XX-XX

- NK: No Mark
- Finish
- 2--Tin-plated(先镀后冲)
- 2E--Tin-plated(先冲后镀)
- Brass
- 外观形态: 180°
- Terminal

Ordering Information & Specifications

Part No	Wire Range	Insulation O.D.	Material	Finish	Qty/reel
B2001TOB-XX-XX	AWG#22-#30	1.30mm(max)	Brass	Tin-plated	10,000pcs

GENERAL TOLERANCE		UNIT: mm		DATE		TITLE:		
.X±0.25	X°±1°	DRAWN: 张自豪		2013.04.05		Pitch2.0mm Terminal 180度		
.XX±0.15	.X°±	CHECKED:				VER.	SCALE:	N/A
.XXX±0.05	.XX°±	APPROVED:				A0	SHEET:	1/1

东莞市宏欣蓝电子有限公司		
PROJECT	PART NO.	B2001TOB-XX-XX
DRAWING NO.		B2001TOB

A

B

由 Autodesk 教育版产品制作

E

F