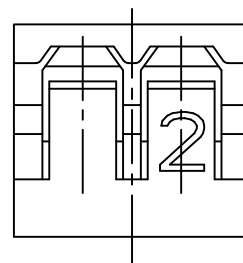
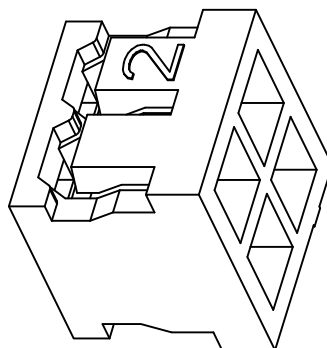
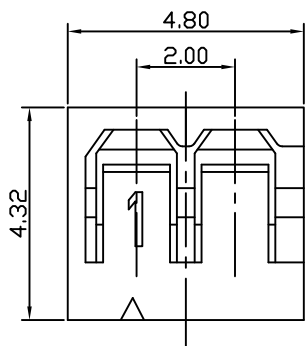
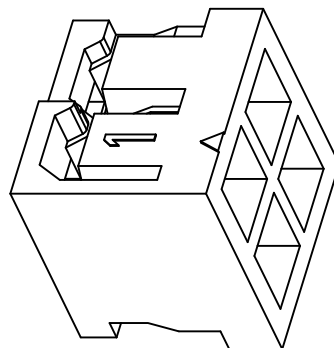
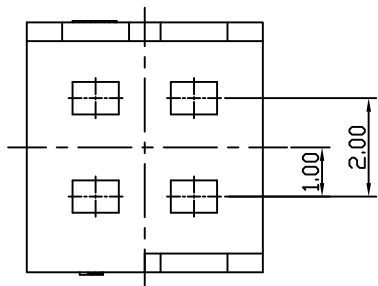


环保物料

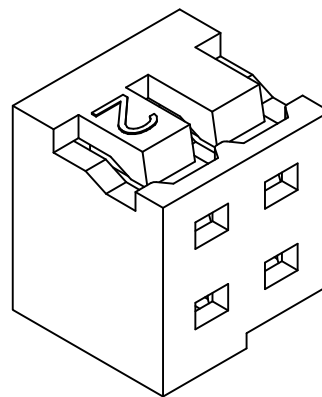
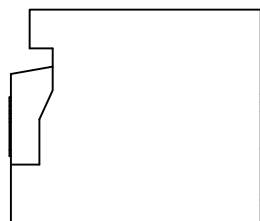
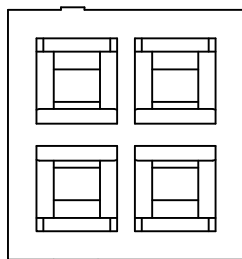
Specifications:

Rated Voltage : 250V AC/DC
 Rated Current : 1A AC,DC
 Withstand Voltage : 1000V AC/minute
 Contact Resistance : 20mΩ(MAX.)
 Insulation Resistance : 500MΩ(MIN.)
 Temperature Range : -40°C~+105°C
 Material: Nylon 66, UL94V-0



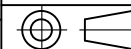
12012H00-2XNPX-HF-NK
 ① ② ③ ④ ⑤ ⑥

- ① Series No.
- ② H90 : Side Contact
H00 : Up Contact
- ③ No. of Circuits
- ④ X : Product color(A--Y)
Blank: Natural type
- ⑤ HF : Halogen Free
- ⑥ NK: No Mark
Blank: Mark

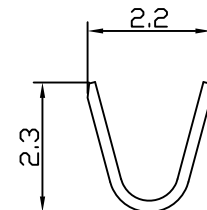
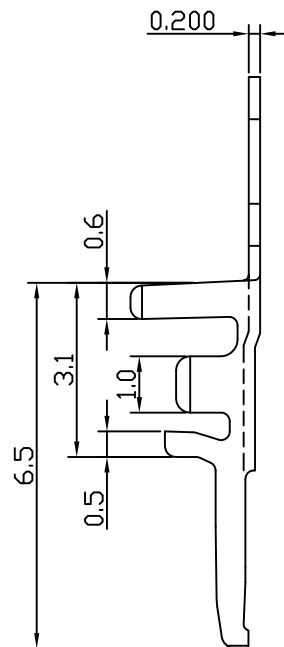
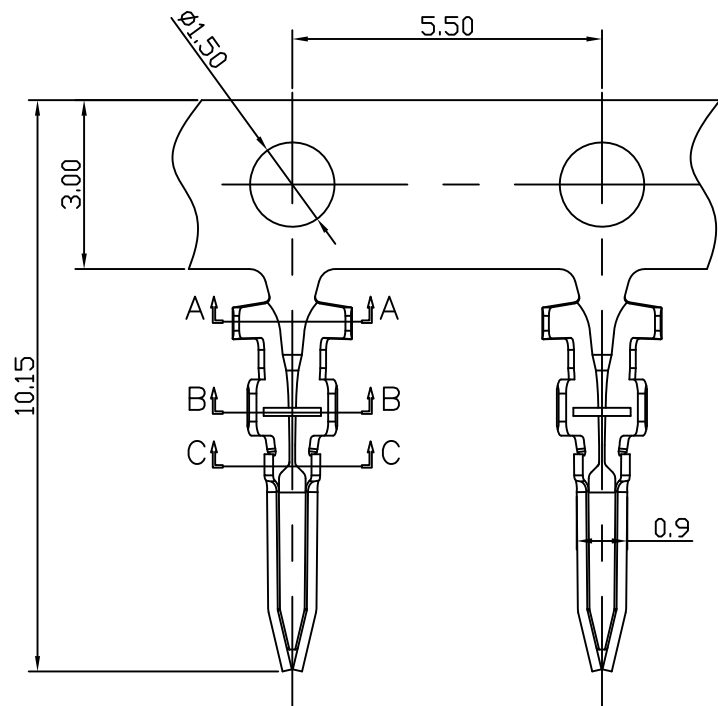


				GENERAL TOLERANCE		UNIT: mm		DATE		TITLE:					
				.X ± 0.25		X° ± 10°		DRAWN: 张自豪		2020.10.20		2.00mm Pitch HOUSING			
				.XX ± 0.05		.X° ± 10°		CHECKED:				PROJECT			
A1 新图制成 2020.10.20				.XXX ± 0.02		.XX° ±		APPROVED:				PART NO. 12012H00-2X2PA-HF-NK			
LTR NAME DATE VERISION RECORD										VER. A1		SCALE: 1/1		DRAWING NO. 12012H	

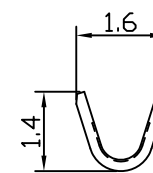
东莞市宏欣蓝电子有限公司



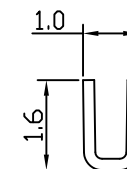
环保物料



SECTION A-A



SECTION B-B



SECTION C-C

Specification & Ordering Information:

Part No	Wire Range	Insulation O.D.	Material	Finish	Qty/reel
12012TOP-2E-NK	AWG #24~#28	1.20mm(max)	Phosphor Bronze	Ni 50u"Min. ,Tin-plated 75u"	15,000 PCS

				GENERAL TOLERANCE		UNIT: mm		DATE		TITLE: 2.00mm Pitch 180 Crimp Terminal 东莞市宏欣蓝电子有限公司 PROJECT PART NO. 12012TOP-2E-NK VER. SCALE: N/A A1 SHEET: 1/1		
				.X ± 0.25	X° ± 10°	DRAWN: 张自豪		2020.10.20				
				.XX ± 0.05	.X° ± 10°	CHECKED:						
				.XXX ± 0.02	.XX° ±	APPROVED:						
A1	新图制成	2020.10.20										
LTR	NAME	DATE	VERSION RECORD						DRAWING NO. 12012T			